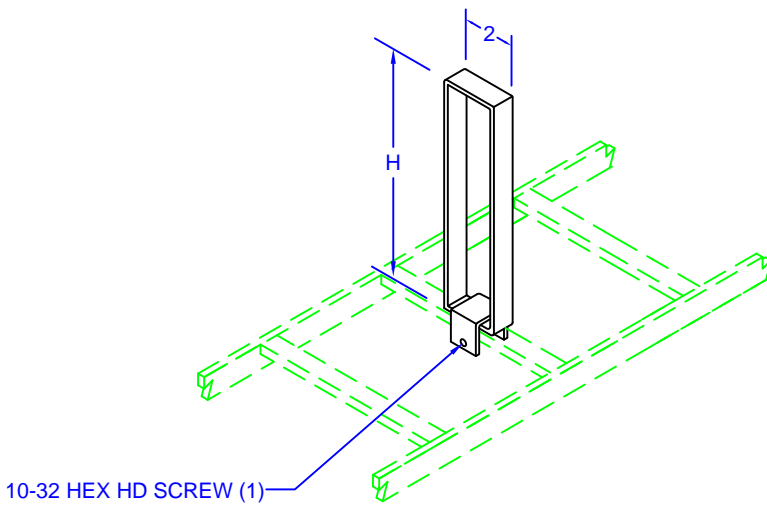


MATERIAL: CARBON STEEL
 FINISH: MTP GRAY POWDER

'H'	PART #
4"	CR1-894K2
6"	CR1-896K2
8"	CR1-898K2

CABLE RACK HORNS (HEAVY DUTY)



MATERIAL: CARBON STEEL
 FINISH: MTP GRAY POWDER

'H'	PART #
5"	CR1-905K
8"	CR1-908K

CABLE SEPARATORS (AT & T)